

ST-70

INSTRUCTION MANUAL

Ortofon Moving Coil Step Up Transformer



ortofon
accuracy in sound

CAUTION

- Keep the unit away from magnetic sources.
- Protect the unit from high temperatures and moisture.
- Keep the unit out of the reach of children.
- Do not modify or repair the unit by yourself.
- Keep the unit clean and dry and avoid contact with liquids.
- Using detergent or solvent may cause surface discoloration and may result in malfunction.

MAINTENANCE

- Dust the unit surface with a clean, dry cloth.
- Keep the RCA connectors clean to obtain the best performance. Using alcohol as a cleaning solvent is acceptable.

SPECIFICATIONS

Technical data Configuration A:

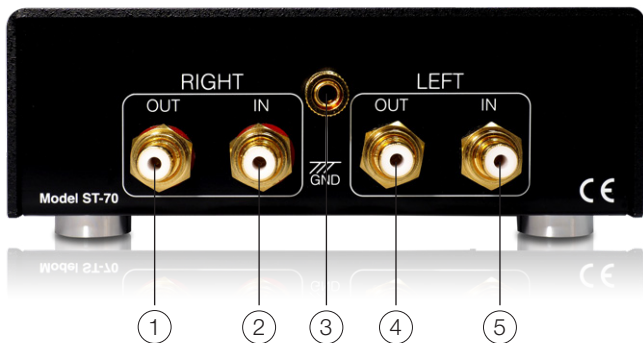
Recommended cartridge impedance:	5-50 Ω
Gain at 1 kHz:	24 dB
Frequency response:	10 Hz - 100 kHz \pm 1 dB
Recommended load:	47 k Ω // 200 pF

Technical data Configuration B:

Recommended cartridge impedance:	< 10 Ω
Gain at 1 kHz:	30 dB
Frequency response:	10 Hz - 80 kHz \pm 1 dB
Recommended load:	47 k Ω // 200 pF

Trafo output loading:	47 k Ω // 200 pF
Dimensions:	58 x 135 x 150 mm
Weight:	1.233 kg

EXPLANATION

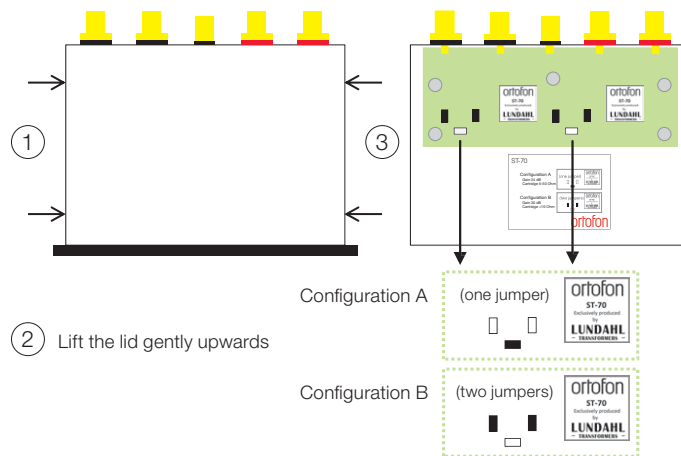


- ① Output terminal for Right channel RCA plug.
- ② Input terminal for Right channel RCA plug.
- ③ Grand earth terminal.
- ④ Output terminal for Left channel RCA plug.
- ⑤ Input terminal for Left channel RCA plug.

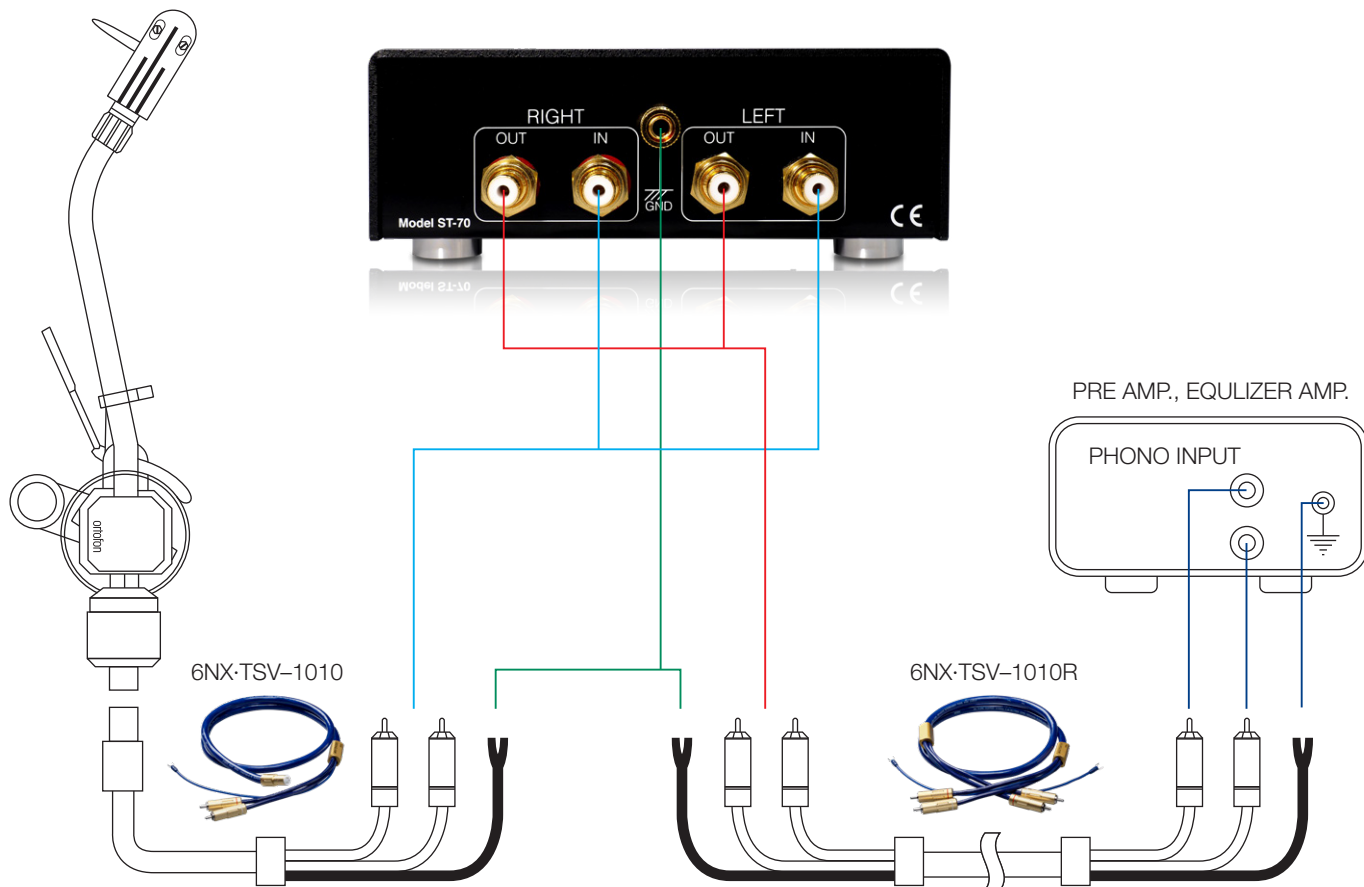
CHANGING CONFIGURATION

Configuration B is the factory set configuration. For changing the configuration please follow the instruction below:

- ① Remove the 4 screws, 2 on each side (shown by the arrows below)
- ② Remove the lid
- ③ Choose jumpers for gain/impedance options



CONNECTION





Get more information
on our website.